

RoboRiv®

Blind rivet nut setting tool for
process automation



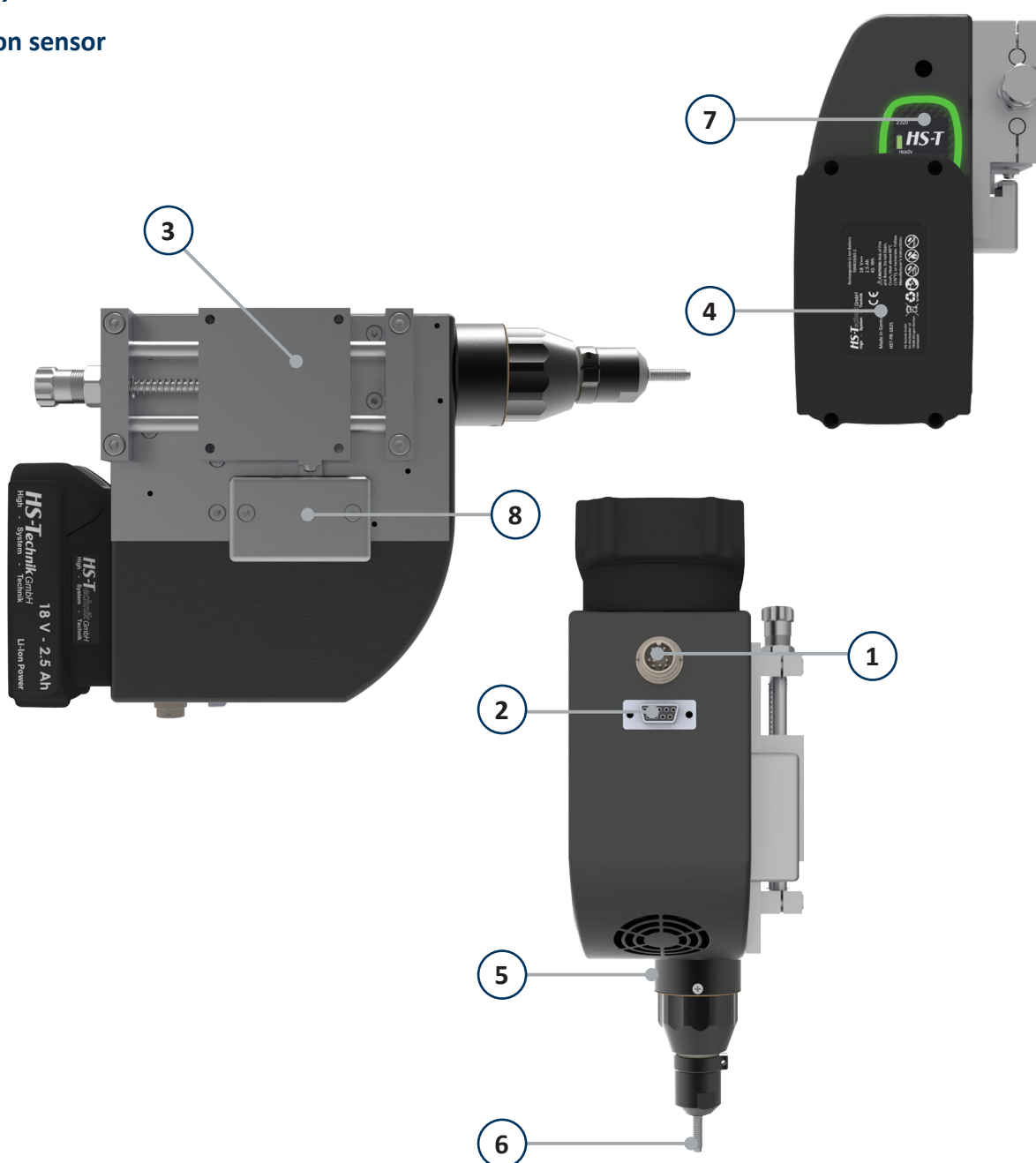
Premium Power Tools

MADE IN GERMANY



HS-Technik GmbH
High - System - Technik

- 1 Power supply & 24V IO interface
- 2 Serial interface, RS232
- 3 Compensation unit
- 4 18V Li-Ion battery
- 5 Force sensor
- 6 Nose piece with threaded mandrel¹
- 7 Display
- 8 Position sensor



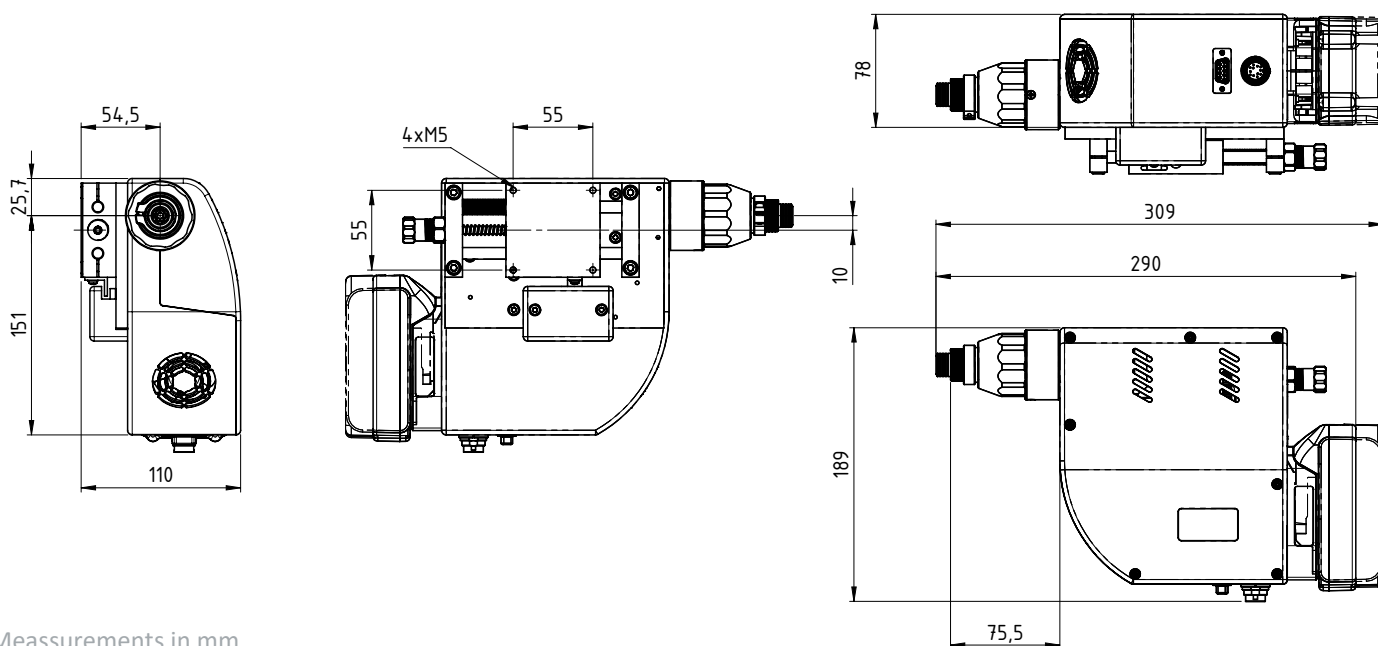
¹ nose piece and threaded mandrel are not included in the standard scope of delivery and must be ordered separately.

- Programmable battery blind rivet nut tool for robot usage
- Force sensor for process documentation
- Programmable via USB with HST-Tool-Manager
- Programmable parameters:
 - Force
 - Current
 - Stroke
 - Speed
 - Time
- Multi-step programming (6 steps)
- Multi-colored status LED
- Robust metal housing
- OLED-Display
- Blind rivet nut counter
- Recovery (counter memory function)
- 100 individual programs
- Min. 150,000 results incl. setting curves (force/stroke) are saved in the tool
- Process documentation and quality assessment with force/stroke curve
- Documentation of the date and time of each riveting process
- Linear compensation unit including light barrier for position determination
- Output of the process parameters via serial interface RS232 and 24 V digital IO's



Description	RoboRiv®
Operating voltage	18 VDC
Device stroke	21 mm
Setting force	max. 25 kN
Setting speed	max. 23 mm/s
Power supply	22 ... 28VDC, 1A, max. 25 W
Operating altitude	< 2000 mNN
Operating temperature	10 - 40 °C
Storage temperature	0 - 50 °C
Dimensions (L × H × B)	309 × 189 × 110 mm (with 5,0 Ah Akku) 290 × 189 × 110 mm (with 2,5 Ah Akku)
Weight without battery	ca. 3,33 kg
Weight with battery 2,5 Ah	ca. 3,68 kg
Weight with battery 5,0 Ah	ca. 4,00 kg
Battery HST-PR-1825	Li-Ion, 18 V, 2,5 Ah
Battery HST-PR-1850 ¹	Li-Ion, 18 V, 5,0 Ah
Charger HST-PR-2830 ¹	220 - 240 VAC, 50 - 60 Hz, 65 W
Blind rivet nuts	M3 - M10
Blind rivet bolts	M3 - M8
24V Input	4 pieces, each approx. ca. 10mA
24V Output	4 pieces, each max. 100mA

¹ Not included in the standard scope of delivery



Measurements in mm
Not true to scale

RoboRiv® Accessories

Threaded mandrel with guiding tip for blind rivet nut applications



NB-GM6

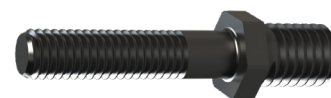
Threaded mandrel (2)	Description	Nose piece (1)	Dimensions
NB-GM5	NutBee threaded mandrel M5, with guiding tip for blind rivet nuts	NRIV-MM5	A: 16,5 mm B: 25,5 mm C: 39,5 mm
NB-GM6	NutBee threaded mandrel M6, with guiding tip for blind rivet nuts	NRIV-MM6	A: 20 mm B: 29 mm C: 43 mm
NB-GM8	NutBee threaded mandrel M8, with guiding tip for blind rivet nuts	NRIV-MM8	A: 22 mm B: 31 mm C: 45 mm

Threaded mandrels and nose piece in special length upon request.



comparison between NRIV-GM (left) and NB-GM (right)

Standard threaded mandrel for blind rivet nut applications



NRIV-GM6

Threaded mandrel (2)	Description	Nose piece (1)
NRIV-GM3	NutBee threaded mandrel M3, for blind rivet nuts	NRIV-MM3
NRIV-GM4	NutBee threaded mandrel M4, for blind rivet nuts	NRIV-MM4
NRIV-GM5	NutBee threaded mandrel M5, for blind rivet nuts	NRIV-MM5
NRIV-GM6	NutBee threaded mandrel M6, for blind rivet nuts	NRIV-MM6
NRIV-GM8	NutBee threaded mandrel M8, for blind rivet nuts	NRIV-MM8
NRIV-GM10	NutBee threaded mandrel M10, for blind rivet nuts	NRIV-MM10
NRIV-GM12	NutBee threaded mandrel M12, for blind rivet nuts	NRIV-MM12

RoboRiv® Accessories

Threaded Sleeve for blind rivet bolt applications

Threaded sleeve (3)	Description	Nose piece(1)
NRIV-HM3	NutBee threaded sleeve M3, for blind rivet bolts	NRIV-MM4
NRIV-HM4	NutBee threaded sleeve M4, for blind rivet bolts	NRIV-MM5
NRIV-HM5	NutBee threaded sleeve M5, for blind rivet bolts	NRIV-MM6
NRIV-HM6-A	NutBee threaded sleeve M6, for blind rivet bolts	NRIV-MM8
NRIV-HM8-A	NutBee threaded sleeve M8, for blind rivet bolts	NRIV-MM10



Conversion kits to convert from the version for rivet nuts to rivet bolts

Model	Description
04000027	sleeve für blind rivet bolts



HS-Technik GmbH

High - System - Technik

Im Martelacker 12
D-79588 Efringen-Kirchen
Phone: +49 (0) 76 28 - 91 11-0
Fax: +49 (0) 76 28 - 91 11-90
E-mail: info@hs-technik.com
Internet: www.hs-technik.com

© Copyright February 2022

Subject to modifications and errors. All figures are non-binding.

We reserve the right to make technical changes to our products and the range of products as a result of further development.

Reproduction and the use of texts, even excerpts of our brochures is prohibited and will be prosecuted.